

ENDO Ultra Activator

User Manual

1. Indications for Use

The Endo Ultra Activator originally born from concentrated technology for ultrasonic activation of irrigation solutions with vibration frequency of 40,000,00 Hz, to create cavitation and acoustic streaming in the irrigant .

Relying on such innovation, better cleaning and disinfection quality could be reached as below :

- a. Eliminates biofilm and smear layer.
- b. Facilitates upward debris removal.
- c. Favors penetration of irrigants into the non-instrumented zones.
- d. Improves the sealing of the obturation e Reduces the microbial load.
- f. Improved activation.

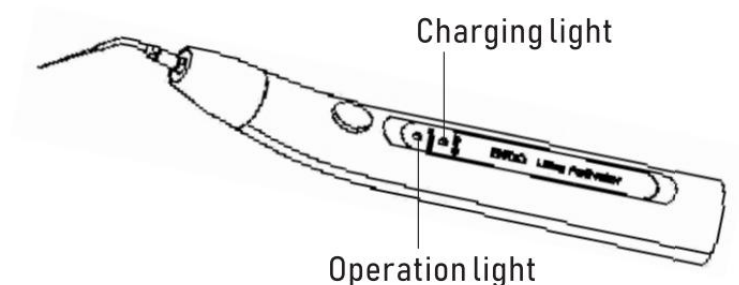
2. Preparation before use

2.1 Battery charging

- a. Battery inside handpiece could support about 4 hours operation under standard treatment when operate indicator turns on.

When operate indicator flashes, battery recharging shall be requested.

- b. Charge indicator would switch to yellow color when connecting handpiece to power plug, and would turn off when battery is fully charged.

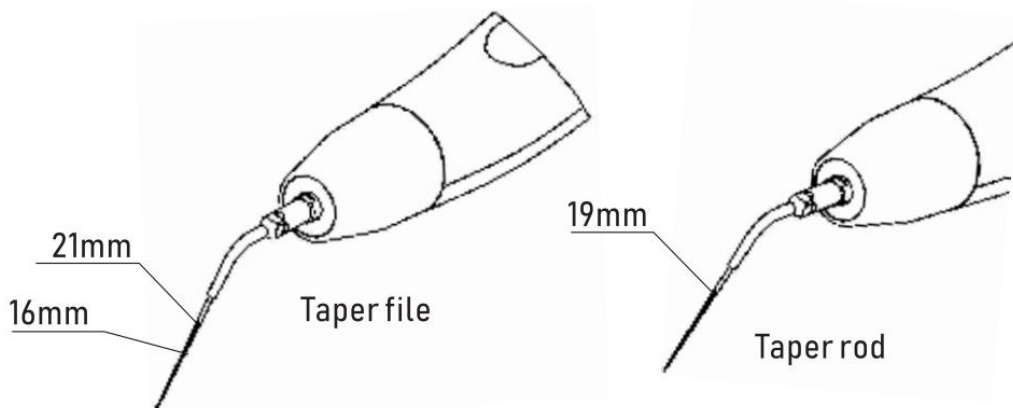


2.2 Cleaning and Disinfection

1. Before or after every usage, it is necessary to clean all surfaces by sterile gauzes or tampons.
2. Before each usage, rubber cover and irrigator tips must be sterilized at $134^{\circ}\text{C}/0.22\text{Mpa}$ for 3min.

2.3 Depth Marking

1. Working part length of taper file is 21mm.
2. Working part length of taper rod is 19mm.



2.4 Assembly before use

Assemble black rubber cover into handpieces, and connect tips into screw port, then use wrench to fasten tips together with screw port of handpieces to avoid loose during operation.

3. Operation Instructions

- 3.1. Press black button to turn on/off handpieces. When indicator turns on, means operation starts, and stop when indicator turns off.
- 3.2. Flush root canal by irrigants, and move vertically up and down with amplitude of 2-3mm, and keep 2mm at least between tips and apex locator.
- 3.3. Activate irrigants inside root canal with 30-60 seconds' vibration to reach perfect cleaning performance of root canal.
- 3.4. suggest to vibrate 20 seconds per time.
- 3.5. overuse of tips will bring potential separation risk, so should be no more than 50 times.